

OPERATION AND MAINTENANCE MANUAL

■ MYP32-300

(In: AC 100~240V Out: DC 24V / 32V)

SAING EI CORP.

<https://www.mytorqtools.com>

WARNING**Important safety information enclosed.**

Read all these instructions before placing tool in service or operation this tool and save these instructions. It is the responsibility of the employer to place the information in this manual into the hands of the operator. Failure to observe the following warnings could result in injury. When using electric tools, Basic safety precautions should always be followed to reduce the risk of fire, electric shock and personal injury, including the following:

1. Important Safety Instructions**2. Operations Cautions****3. Grounding Instructions****4. Installation Instructions****5. Specifications****6. Servicing**

Important Safety Instructions

WARNING! Read all instructions Failure to follow all instructions listed below may result in electric shock fire and/or serious injure. The term “power tool” in all of the warning listed below refer to your mains operated (corded) power tool or battery operated (cordless) power tool.

SAVE THESE INSTRUCTIONS

1) Electrical Safety

- a) **Keep work area clean and well lit.** Cluttered and dark areas invite accidents.
- b) **Do not operate power tools in explosive atmosphere, such as in the presence of flammable liquids, gases or dust.** Power tools create sparks which may ignite the dust of fumes.
- c) **Keep children, and bystanders away while operating a power tool.** Distractions can cause you to lose control.

2) Electrical Safety

- a) **Power tool plugs must match the outlet. Never modify the plug in any way. Do not use any adapter plugs with earthed (grounded) power tools.** Unmodified plugs and matching outlets will reduce risk of electric shock.
- b) **Avoid body contact with earthed or grounded surfaces such as pipes, radiators, ranges and refrigerators.** There is an increased risk of electric shock if your body is earthed or grounded.
- c) **Don't expose power tools to rain or wet conditions.** Water entering a power tool will increase the risk of electric shock.
- d) **Do not abuse the cord. Never use the cord to carry, pulling or unplugging the power tool. Keep cord away from heat, oil, sharp edges or moving parts.** Damaged or entangled cords increase the risk of electric shock.
- e) **When operating a power tool outdoors, use an extension cord suitable for outdoor use.** Use of cord suitable for outdoor use reduces the risk of electric shock.

3) Personal Safety

- a) **Stay alert, watch what you are doing and use common sense when operating a power tool. Do not use power tool while you are tired or under the influence of drugs, alcohol, or medication.** A moment of inattention while operating power tools may result in serious personal injury.
- b) **Use safety equipment. Always wear eye protection.** Safety equipment such as dust mask, non-skid safety shoes, hard hat, or hearing protection used for appropriate conditions will reduce personal injuries.
- c) **Avoid accidental starting. Ensure the switch is in the off position before plugging in.** Carrying power tools with your finger on the switch or plugging in power tools that have the switch on invites accidents.
- d) **Remove any adjusting keys or wrench before turning the power tool on.** A wrench or a key that is left attached to a rotating part of the power tool may result in personal injury.
- e) **Do not overreach. Keep proper footing and balance at all times.** This enables better control of the power tool in unexpected situations.
- f) **Dress properly. Do not wear loose clothing or jewelry. Keep your hair, clothing, and gloves away from moving parts.** Loose clothes, jewelry, or long hair can be caught in moving parts
- g) **If devices are provided for the connection of dust extraction and collection facilities, ensure these are connected and properly used.** Use of these devices can reduce dust related hazards.

4) Power tool Use and Care

- a) **Do not force the power tool. Use the correct power tool for your application.** The correct power tool will do the job better and safer at the rate for which it was designed.
- b) **Do not use power tool if switch does not turn it on or off.** Any power tool that cannot be controlled with the switch is dangerous and must be repaired.
- c) **Disconnect the plug from the power source before making any adjustments, changing accessories, or storing the power tools.** Such preventive safety measures reduce the risk of starting the power tool accidentally.
- d) **Store idle power tools out of reach of children and do not allow persons unfamiliar with the power tool or these instructions to operate the power tool.** Power tools are dangerous in the hands of untrained users.
- e) **Maintain power tools. Check for misalignment or binding of moving parts, breakage of parts and any other condition that may affect the power tools operation. If damaged, have the power tool repaired before use.** Many accidents are caused by poorly maintained power tools.
- f) **Keep cutting tools sharp and clean,** properly maintained cutting tools with sharp cutting edges are less likely to bind and are easier to control.

- g) **Use the power tools, accessories and tool bits ect., in accordance with these instructions and in the manner intended for the particular type of power tool, taking into account the working conditions and the work to be performed.** Use of the power tool for operations different from intended could result in a hazardous situation.

5) SERVICE

- a) **Have your power tool serviced by qualified repair person using only identical replacement parts,**
This will ensure that the safety of the power tool is maintained.

Additional information shall be provided

- a) Instruction for putting into use
1. Setting-up or fixing power tool in a stable position as appropriate for power tools which can be mounted on a support.
 2. Assembly
 3. Connect to power supply, cabling, fusing, socket type and earthing requirements.
 4. Illustrated description of functions.
 5. Limitations on ambient conditions.
 6. List of contents.
- b) Operating Instructions.
1. Setting and testing.
 2. Tool changing.
 3. Clamping of work.
 4. Limits on size of work piece.
 5. General instructions for use.
- c) Maintenance and servicing.
1. Regular cleaning, maintenance, and lubrication.
 2. Servicing by manufacture or agent, list of addresses.
 3. List of user-replaceable parts.
 4. Special tools which may be required.

Operations Cautions

1. Please read the operating manual thoroughly and comply with safety regulation to operate this Multi-Function Controller.
2. Please grasp the plug of power cord while plugging in or out the plugs of connecting cord of Electric Screwdriver and power cord.
3. Please fix the power controller to avoid any danger of pulling and dragging the power cord.
4. Do not near oil, chemical materials or heated objects, also please be alert not to scratch the power cord by sharp object.
5. This type of Controller can only be applied to SAING EI Electric Screwdriver with Counter. Do not use Electric Screwdriver Controller on other types of machinery.
6. In case of the Controller is overheated or overloaded with maximum current rating of fuse, the high-speed fuse will be melted down and cut off the power. If the Controller continues to jump off or has an abnormal switching reaction, please stop the operation immediately and send back the Controller for repair.
7. When Electric Screwdriver is running, if slides Forward/Reverse Switch instantly, device will generate the protection program to force Electric Screwdriver stop.
8. Please do not disassemble Electric Screwdriver casually and try to repair it by self.
9. When Controller is not in use, please turn the main power switch OFF and unplug the power.
10. The electric frequency will be lower when the voltage is adjusted as Lo or below 32V,so the torque of the electric screwdrivers can't be worked out except below scale of 4.

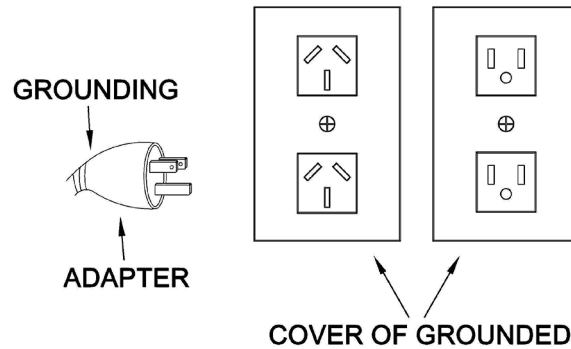
WARNING !

DO NOT OPERATE THIS TOOL WITHOUT PROTECTIVE EARTH CONNECTED

Grounding Instructions

The tool should be grounded while in use to protect the operator from electric shock. The tool is equipped with a three-conductor cord and three-prong grounding-type plug to fit the proper grounding-type receptacle. The green (or green and yellow) conductor in the cord is the grounding wire. Never connect the green (or green and yellow) wire to a live terminal.

Green and yellow----- Earth
Blue ----- Neutral
Brown ----- Live



Installation Instructions

1. Use the controller voltage recommended in the specification of this manual.
2. When using a commercial power supply be sure to set up circuit and safety breakers.
You must also properly ground the mechanisms.
3. The temperature and humidity should be kept at appropriate levels.
4. Do not set up the power supply in a room that has poor ventilation and where it may be exposed to dust and metallic flakes.
5. Do not put heavy object on top of power supply or pile thing on it.
6. Attach the power supply securely to a flat, stable surface. If the power supply is put a high place, take special care to ascertain that there is no danger of it falling.
7. Keep bystanders away. Do not permit unauthorized personnel to operate this controller.
8. Do not set up the power supply near high voltage machinery or in an excessively noisy environment.
9. Avoid setting up or storing the power supply in wet or oily environments or where it might be exposed to corrosive or flammable gases.
10. We emphasize that the power supply should be placed in stable, fixed location.

SAVE THESE INSTRUCTION

NOTICE

The use of other than genuine SAING EI replacement parts may result in decreased controller performance and increased maintenance and may invalidate all warranties.

Specifications

Model	MYP32-300	
Input	AC 100~240V 50/60Hz 1.2A	
Output	DC 24V / 32V ,1A (3A Peak)	
Duty Cycle	1s ON / 3s OFF	
Outside Dimensions (mm)	200 * 80 * 66 (mm)	
Weight (g)	460 (main body)	
Suitable Model	MY5-0212LF ; MY5-0212PF MY5-0317LF ; MY5-0317PF MY5-EP0212LF ; MY5-EP0212PF MY5-EP0317LF ; MY5-EP0317PF MY2-TR0235L ; MY2-TR0507L MY2-TR0110L ; MY2-TR0210P MY2-TR0212P MY5-TR0212L ; MY5-TR0212P MY5-TR0212LF ; MY5-TR0212PF MY5-TR0317LF ; MY5-TR0317PF MY5-TR0319L ; MY5-TR0319P	MY5-0212LFM MY5-0317LFM MY2-TR0235LM ; MY2-TR0507LM MY2-TR0110LM MY5-TR0212LM MY5-TR0212LFM MY5-TR0317LFM MY5-TR0319LM

Servicing

Maintenance and Inspection :

1. The controller must be operated in top condition, one day working hour must be not more than eight hours.
2. Please note don't let the controller get over heated, every minute use 10~15 screws to operate.
3. The frequency use of this electric screwdriver is over eight hours a day, still it needs periodically testing and treatment. Every 5-6 months.

CAUTION

1. The use of other than genuine MYTORQ replacement parts may Result in decreased tool performance and increased maintenance and may invalidate all warranties.
2. All repairs and maintenance of this tool and its cord must be performed by an authorized service center.
3. SAING EI is not responsible for customer modification of tools for applications on which SAING EI was not consulted.
4. Repairs should be made only by authorized, trained personnel. Consult your nearest MYTORQ authorized service center.
5. It is the responsibility of the employer to place the information in this manual into the hands of the operator.
6. Please refer to SAING EI website <https://www.mytorqtools.com> for the detail component list.

DO NOT ATTEMPT TO REPAIR THIS EQUIPMENT

All repairs and maintenance of the Controller and its cord
must be performed by authorized service center

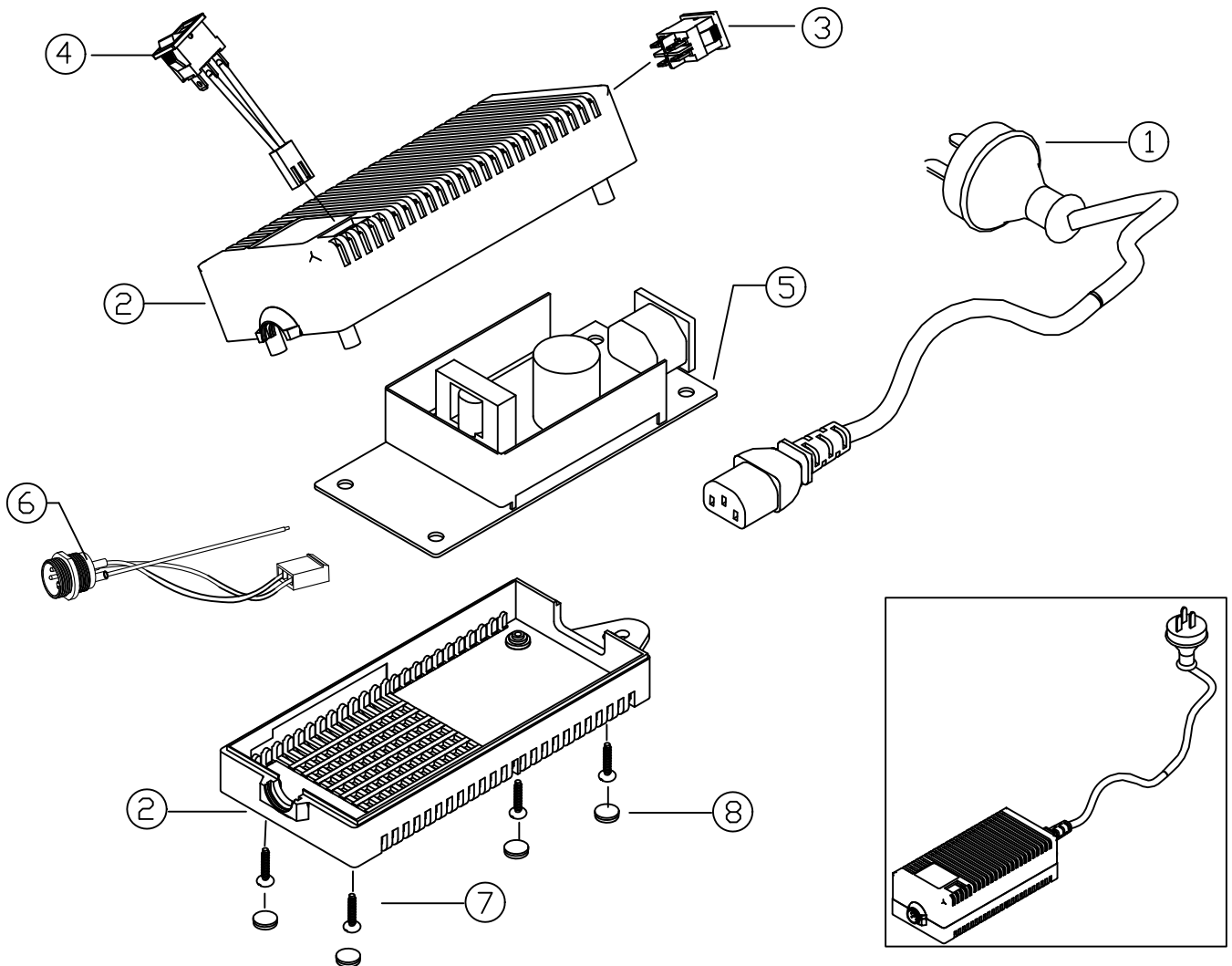
CAUTION

**SAVE THESE INSTRUCTIONS
DO NOT DESTROY**

**Our company reserves the right to modify
the product without prior notice.**

POWER CONTROLLER

電源控制器



**Model:
MYP32-300**

NO	PARTS NO	PARTS NAME-E	PARTS NAME-C	Q'ty
1	AA50002	CORD USA-PLUG	美規電腦插頭電源線	1
	AA50002-1	CORD AUS-PLUG	澳規電腦插頭電源線	1
	AA50002-2	CORD EUO-PLUG	歐規電腦插頭電源線	1
	AA50002-3	CORD BRI-PLUG	英規電腦插頭電源線	1
	AA50002-6	CORD INDIA-PLUG	印規電腦插頭電源線	1
2	P11009-8	HOUSING HI/LO	外殼 HI/LO	1
3	P11401-19	POWER SWITCH	電源開關	1
4	HC10003	HI/LO SWITCH	HI/LO開關	1
5	EG50101-33-CE	PCB-POWER SUPPLY	電源機板	1
6	PZ50165-7	CONNECTOR ASS'Y 6PIN	6芯插座半成品	1
7	CH20102	SCREW	外殼螺絲	4
8	CH20103	RUBBER SHIM	腳墊	4